



Young Regulator Co.

7100 Krick Rd • Walton Hills, OH 44146

P: 440-232-9700 • F: 440-232-8266

www.youngregulator.com

Submit 4011-IF 9/2019

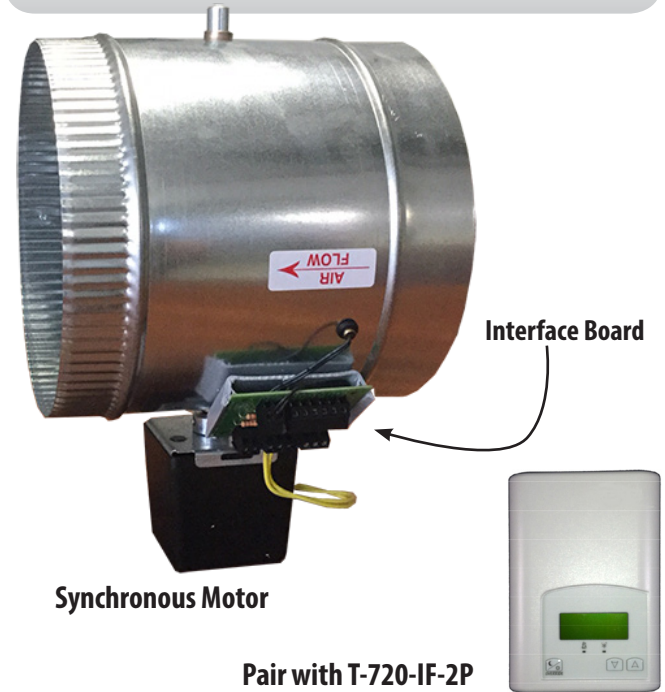
Model 4011-IF

Power Open Spring Return 24VAC
w/ Interface Board

Application and Design

The Young Regulator 4011 round 2-position 24V motorized damper is ideal for zone control, outside air, air intake, and exhaust air vents. The 4011 features a hysteresis synchronous motor that has a "lost motion" drive to protect the gear train from closing shock. Damper is whisper quiet.

The 4011-IF includes our Interface Board that simplifies field wiring. (See back)



Synchronous Motor

Pair with T-720-IF-2P

Standard Construction	
Shell	4" - 9" 24 ga Galvanized Steel 10" or 12" 20 Ga Galvanized Steel
Blade	20 gauge Galvanized Steel "V" Blade
Bushings	Oil Impregnated Bronze
Shaft	1/2" Zinc plated Steel
Configuration	One end crimped w/ stiffening beads
Configuration Information	
Diameter	4" - 12"
Shell Length	8"
Blade Stop	Built-in for Minimum Air Position
Profile	Power Open / Spring Closed Power Close / Spring Open Available
Thermostat	T-720-IF-2P

Synchronous Anti-Backlash Motor	
Volts	24VAC
Watts	6 Watts
VA	10 VA
Amp	.45 Amp
Timing	30 Sec. Powered - 8 Sec. Spring Return
Torque	65 In. Oz. Average
Options	
Transformer	24/120 VAC, 24/240 VAC
Low Leak Seals	Blade Seals for tight shut off
Power Stroke	Power Closed / Spring Open
Larger Diameter	Use RDTF

Quantity	Diameter	Notes
Project		Location
Contractor		Design Specifier



Interface Board Engineering Specifications

The interface board for the T720-IF-2P thermostat is provided to simplify the installation of the thermostat and damper assembly. The 4011-IF features the supply temperature sensor pre-installed in the damper and the connections are pre-wired to the primary actuator and sensor at the factory. Field connections consist of the transformer and thermostat wiring. For your convenience, an extra terminal block is provided for installation of slave damper(s).

Sequence of Operation:

The supply temperature sensor (duct stat) determines if warm or cold air is available in the supply. (72°F Decision Pt.) This information is shown on the thermostat by displaying 'Heating mode' or 'Cooling mode'. As the thermostat works to control the space temperature to the set-point, the damper will open, close, or modulate as needed.

Interface Board Wiring

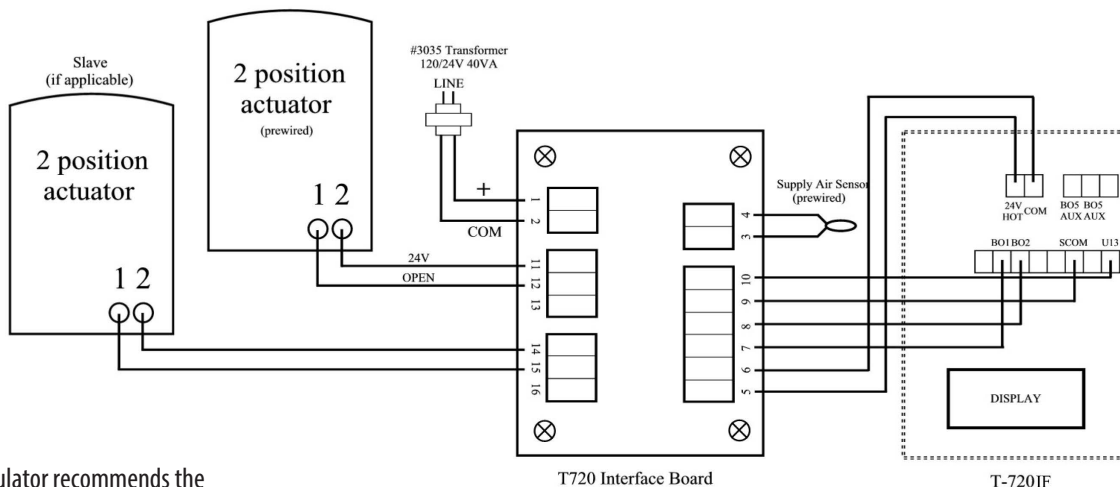
Transformer 24VAC COM 1 2
 Actuator 24VAC Open 11 12 13 Close 13
 Slave Actuator 24VAC Open 14 15 16 Close 16

Duct Stat 3 4
 Supply Temp Sensor 01 02
 UI3 03
 SCOM 04
 BO2 05
 BO1 06
 COM 07
 24VAC 08

PN: 7200-IFB REV A
 ARTWORK ID: A 1

LED Codes
 The Interface Board features a GREEN and a RED LED. When lit
 ● The lit GREEN LED indicates the damper is opening
 ● When BOTH lights are NOT lit, the thermostat is satisfied and the damper is closed.

System Wiring Diagram



Note:
 Young Regulator recommends the use of 18 AWG thermostat wire

NOTE: For installation of a T720B cooling only thermostat, omit the UI3 and SCOM connections.
 Young Regulator recommends the use of 18 gauge thermostat wire.