



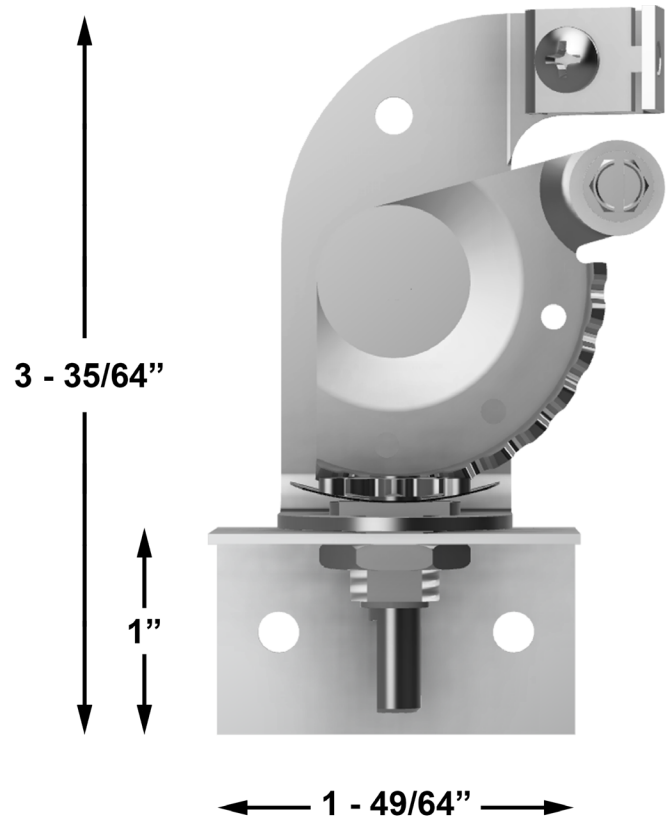
Model 270-275
Bowden Remote Cable Control

Application and Design

Balancing dampers located in inaccessible spaces are now easily controlled with the Young Regulator Bowden Remote Cable Assemblies. Access is concealed in the ceiling, inside plenums, or moved to a convenient area such as a nearby mechanical room or above a lay in ceiling. Access doors can be eliminated for architectural aesthetics.

A flexible casing and wire, (PT# BCW, ordered separately) up to 50' long runs from a steel rack and pinion locking controller to a damper where the rotary motion of the rack and pinion controller is converted to a push-pull motion with a lever arm.

The 270-275 can mount inside the plenum of a slot diffuser, with access to the controller through the opening in the bottom of the slot



STANDARD CONSTRUCTION

Rack and Pinion	14 ga. Galvanized Steel
Angle Bracket	18 ga. Galvanized Steel

ACCSSORIES

- Controlled with model 030-12 wrench
- BCW - Bowden Casing and Wire (ordered seperately by the foot or in bulk)
- Right angle bracket to secure to plenum wall

OPTIONS

- 270-275B with hardware for dampers by others with 1/2" round or 3/8" square damper shaft
- 270-275B-Q with hardware for dampers by others with 5/16" round or 1/4" square damper shaft
- 270-275-ML for use with "ice-tong" diffusers
- 270-275-PH with phillips head adjustment

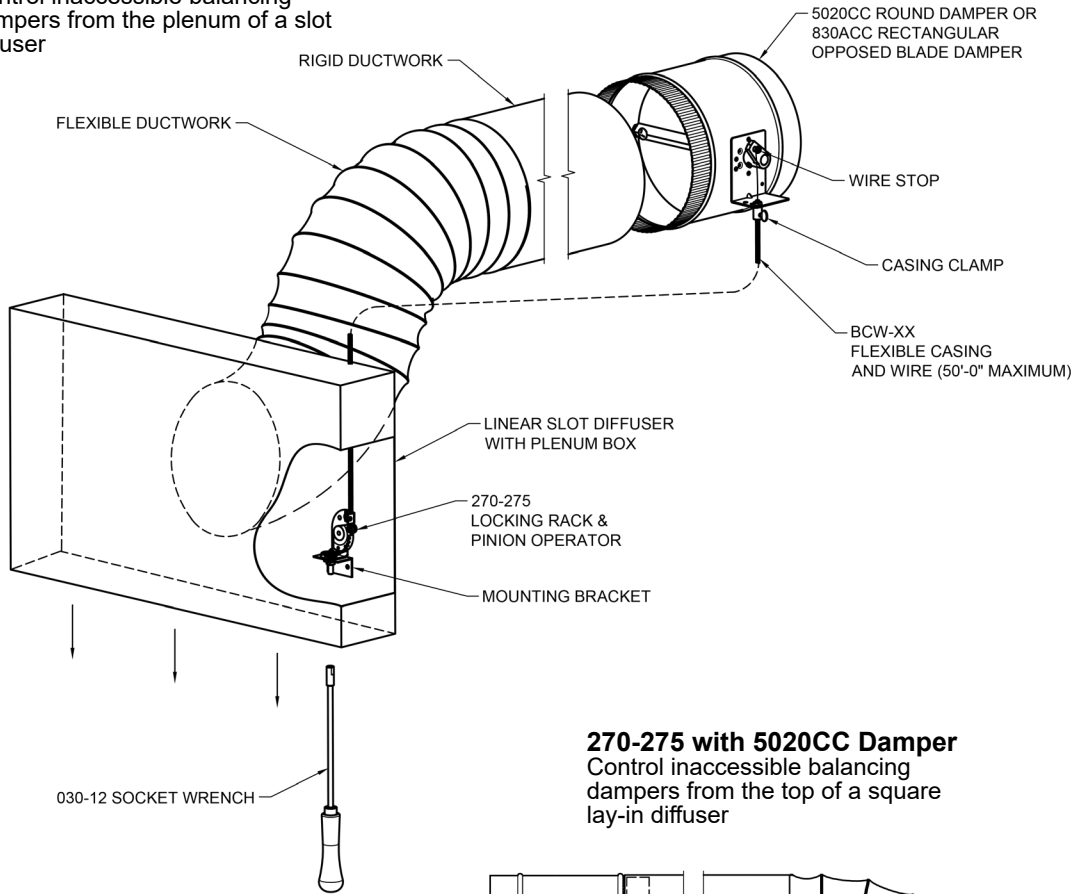
Quantity	Option	Notes

PROJECT	LOCATION
CONTRACTOR	DESIGN SPECIFIER



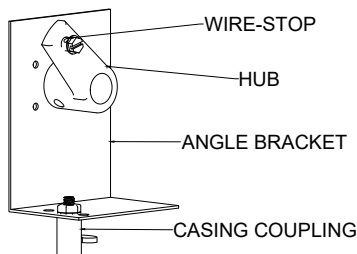
Model 270-275 Bowden Remote Cable Control

270-275 with 5020CC Damper
Control inaccessible balancing dampers from the plenum of a slot diffuser

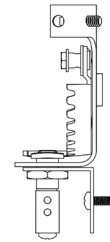


270-275 with 5020CC Damper
Control inaccessible balancing dampers from the top of a square lay-in diffuser

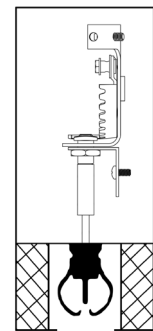
B-Kit
Hardware to control dampers-by-others.



270-275-PH:
Optional extended control shaft adjustment for Phillips screwdrivers



270-275-ML:
Extended control shaft for "ice tong" style diffusers



Model 270-275 Inside of the Plenum

Damper controller and cable shall be fastened to the inside of the plenum within the airstream. Allow access to damper operator. Cable to consist of Bowden cable .054" stainless steel control wire with a tensile strength of 260,000 lbs. that is encapsulated in 1/16" flexible galvanized spiral wire sheath. Control kit shall be designed for use with internally or externally controlled round or rectangular dampers and shall consist of 14 gauge steel rack and pinion gear drive capable of delivering 35 in lbs. of push/pull torque that converts rotary motion to push-pull motion. Control shaft shall be D-style flattened 1/4" diameter with 265-degree rotation providing 1-1/2" linear travel capability. Control kit mounting bracket can be field mounted on ceiling framework, behind grilles, on or inside plenum slot diffusers and other various types of diffusers. Control kit shall be manually operated using Young Regulator Model 030 Wrench. Control kit shall be Young Regulator Model 270-275 or prior approved equal. Specify 270-275PH for phillips head adjustment. Specify 270-275ML for "ice tong" style diffuser.



Model 270-275
Bowden Remote Cable Control

BOWDEN CABLE CONTROL SYSTEM

