

CVR

CONSTANT VOLUME REGULATOR

YOUNG REGULATOR COMPANY

Installation / Operation / Maintenance

INSTALLATION

The round CVR is designed for installation in rigid ducts, duct collars, or register boxes without the use of screws or any other mechanical fixing device. The perimeter gasket provides a seal to grip the interior of the duct in which the unit is installed. It may be installed in vertical or horizontal ducting. When installed in horizontal ducting, the CVR must be installed with the base downward. The CVR should be installed in accordance with all applicable building and mechanical codes. If installed in a metal duct or duct collar with a flexible duct connector (listed to UL 181), the CVR must be inserted at least 0.7 times the duct diameter from the flexible duct and/or duct connector. The CVR should always be installed so as to be accessible for inspection and removal, if necessary. To prevent potential damage and/or loss of operation, avoid the use of screws, rivets, or other mechanical fasteners in the specific area of duct where the CVR is installed. Also protect the CVR from construction/gypsum board dust before and after installation.

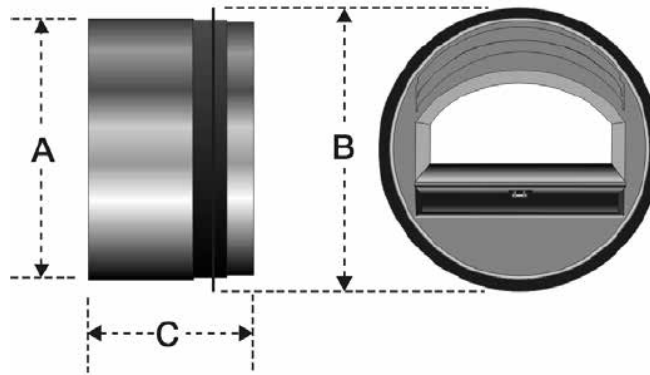
MAINTENANCE

In most cases the CVR requires no regular maintenance. If it is installed in an exhaust duct system without filtration, it is advisable to provide a means of access for inspection and cleaning. If cleaning is required, remove and clean with warm soapy water, dry, and reinstall in the duct.

ADJUSTMENT OF AIRFLOWS

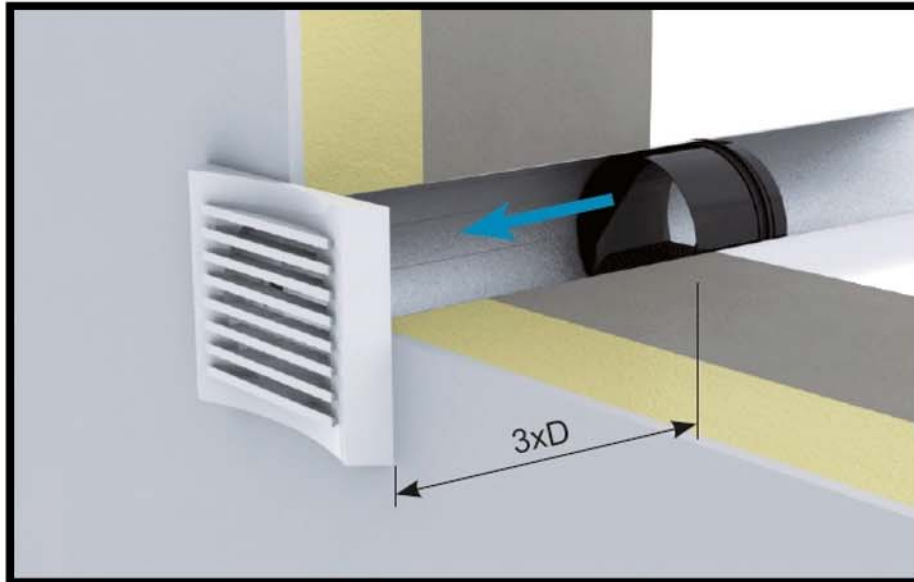
The CVR is provided with factory-preset airflows. If it is necessary to make adjustment to the calibrated airflow value, contact the factory for assistance.

DIMENSIONS



DUCT	CVR	A	B	C
4"	4"	3.8"	4.1"	2.3"
5"	5"	4.8"	4.1"	3.5"
6"	6"	5.8"	6.1"	3.5"
8"	8"	7.6"	8.1"	3.5"
10"	10"	9.7"	10.1"	3.7"

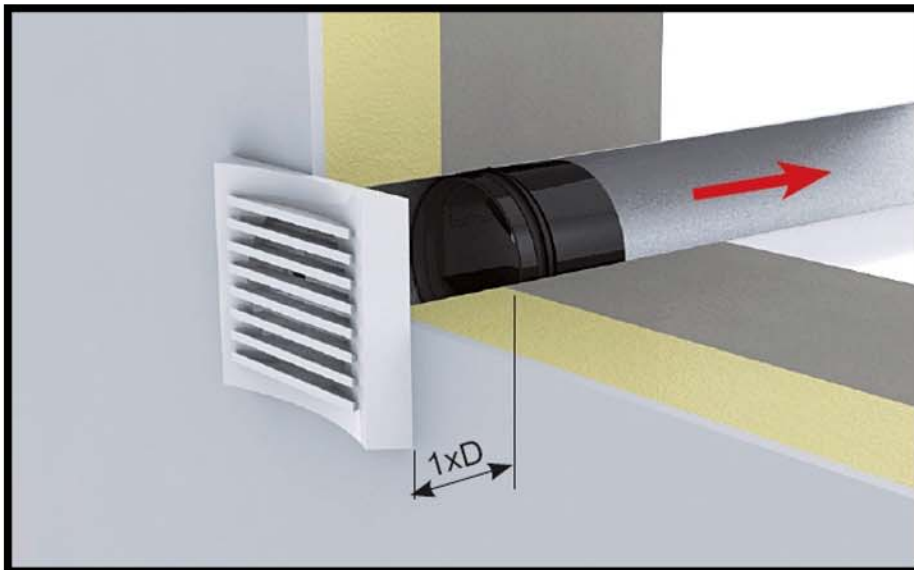
CVR in supply configuration



The CVR fits directly inside a vertical or horizontal duct. For horizontal ducts ensure the bottom (“BAS”) direction indicated on the front of the CVR faces downward and the moveable aerofoil is horizontal. A rubber or foam seal ensures air tightness with minimum air bypass..

Do not twist, push, or otherwise force the airofoil (the regulating element) when installing. Be sure the CVR is installed with the correct orientation for airflow.

CVR in return configuration



When the CVR is used in conjunction with an air diffusion vent, it is recommended that the distance between the vent and the CVR be at least equal to the duct diameter for return air and at least three times the duct diameter for supply air.

Installations and system designs that result in backpressure on the CVR exit may cause problems in regulating airflow.