



T-720
Zone Damper Thermostat

Application and Design

The Young Regulator T-720 proportional and integral thermostat series is specifically designed for zoning applications. Typical applications include pressure dependant VAV floating control with or without local reheat. The product features a backlit LCD display with dedicated function menu keys for simple operation. Accurate temperature control is achieved due to the products P+I Proportional/integral control algorithm, which virtually eliminates temperature offset associated with traditional, differential-based thermostats.

When used with the optional S-720 sensor, the T-720 series thermostat is factory programmed to have an integral changeover function. That function allows seamless switching between cooling and heating mode based upon supply air temperature.

The T-720 series thermostat will control the following Young Regulator dampers:

- 4075(LMB/IF)
- 3085(LMB/IF)
- 3045
- 9100(E/IF)
- RDTF
- SDTF
- 4011(-IF)
- 3151(-IF)



FEATURES	
P+I Proportional/Integral algorithm	Auto Changeover function when used with S-720 Sensor
2 line, 16 character LCD display	EEPROM memory in the event of power failure
SPST Auxiliary Switch for Reheat	3 additional inputs for monitoring and/or various advanced functions
2 Position programming	Keypad lockout

Quantity	Option	Notes

PROJECT	LOCATION
CONTRACTOR	DESIGN SPECIFIER

MODELS	DESCRIPTION
T-720A	programmed for automatic changeover (LMB/E/3045)
T-720B	programmed for cooling only (LMB/E/3045)
T-720IF	programmed for "IF" series (4075-IF / 3085-IF / 9100-IF)
T-720IF-2P	programmed for two position "IF" series (4011-IF / 3151-IF)

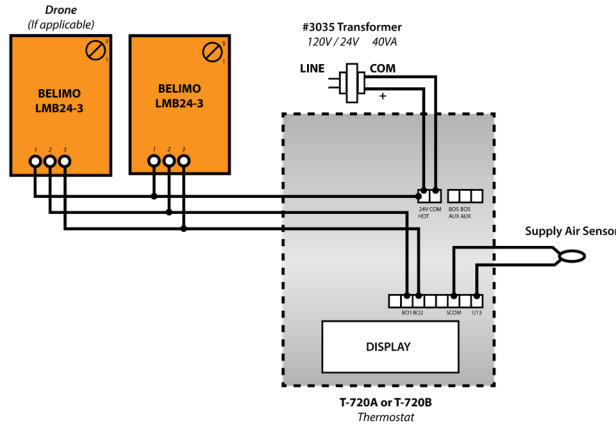
SPECIFICATIONS	
Power Requirements	19-30 Vac 50 or 60 Hz; 2 VA Class 2
Wire Gauge Requirements	18 gauge recommended
Operating Conditions	32°F to 122°F (0°C to 50°C)
Room Temperature Display Range	-40°F to 122°F (-40°C to 50°C)
Temperature Sensor	10 K NTC thermistor
Agency Approvals	UL, CSA, and FCC

OPTIONS
S-720 Supply Air Temperature Sensor
BACnet, LonMark, Echelon, Zigbee Wireless Network Adapter Modules
Optional model for 0-10Vdc Analog Control
IR Occupancy Sensor Module
Remote Sensing Module



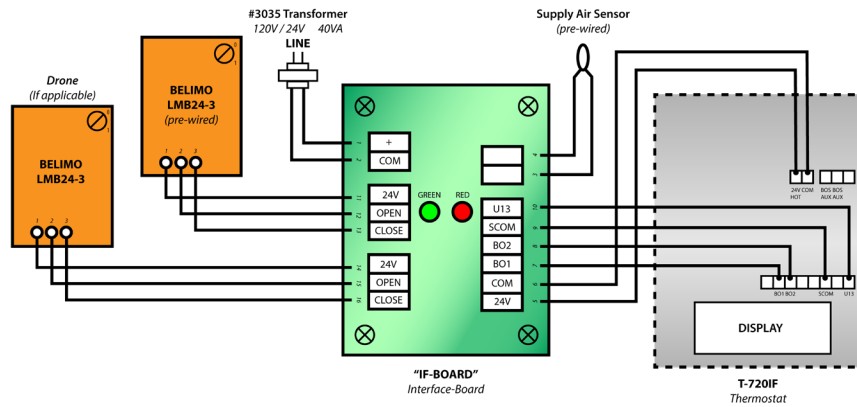
Wiring Schematics

T-720(A/B):



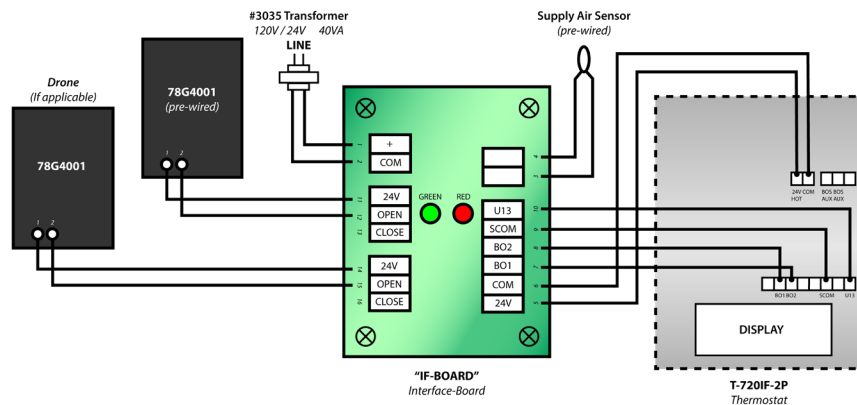
**18 gauge thermostat wire is recommended.*

T-720IF:



**18 gauge thermostat wire is recommended.*

T-720IF-2P:



**18 gauge thermostat wire is recommended.*