



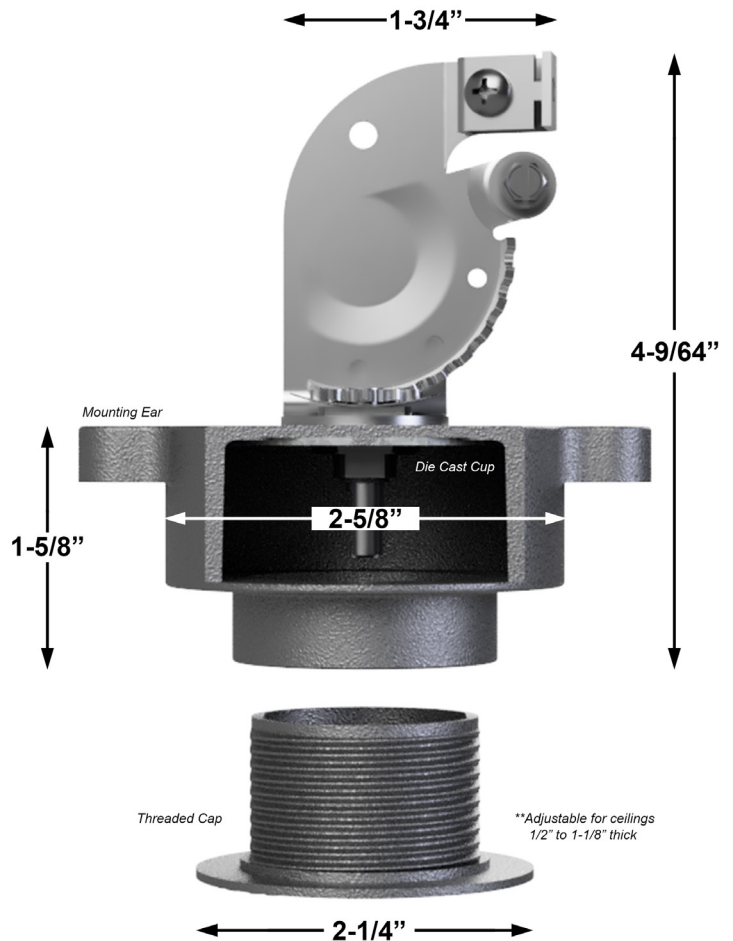
Model 270-315
Bowden Remote Cable Control
Through A Hard Ceiling

Application and Design

Balancing dampers located in inaccessible spaces are now easily controlled with the Young Regulator Bowden Remote Cable Assemblies. Access is concealed in the ceiling, inside plenums, or moved to a convenient area such as a nearby mechanical room or above a lay in ceiling. Access doors can be eliminated for architectural aesthetics.

A flexible casing and wire, (PT #BCW, ordered separately) up to 50' long runs from a steel rack and pinion locking controller to a damper where the rotary motion of the rack and pinion controller is converted to a push-pull motion with a lever arm at the damper.

The 270-315 consists of the 270 rack and pinion controller mounted atop a die cast cup that is embedded in a sheet rock or gypsum board ceiling. The cup is 2-5/8" in diameter and 1 5/16" deep and accepts the 2-1/4" diameter cover, adjustable for ceilings from 1/2" to 1-1/8" thick.



| STANDARD CONSTRUCTION | |
|-----------------------|-------------------------|
| Rack and Pinion | 14 ga. Galvanized Steel |
| Die Cast Cup | 2-5/8" Ø (Metallic) |
| Threaded Cap | Metallic |

| ACCESSORIES | |
|--|--|
| Controlled with 030-12 Wrench / Opened with 024 Spanner Wrench | |
| BCW - Bowden Casing and Wire (ordered separately by the foot or in bulk) | |

| OPTIONS |
|---|
| White Primer Coated Threaded Cap |
| Consult the factory for thicker ceilings |
| "270-315B" for dampers-by-others with 1/2" round or 3/8" square shafts |
| "270-315B-Q" for dampers-by-others with 5/16" round or 1/4" square shafts |

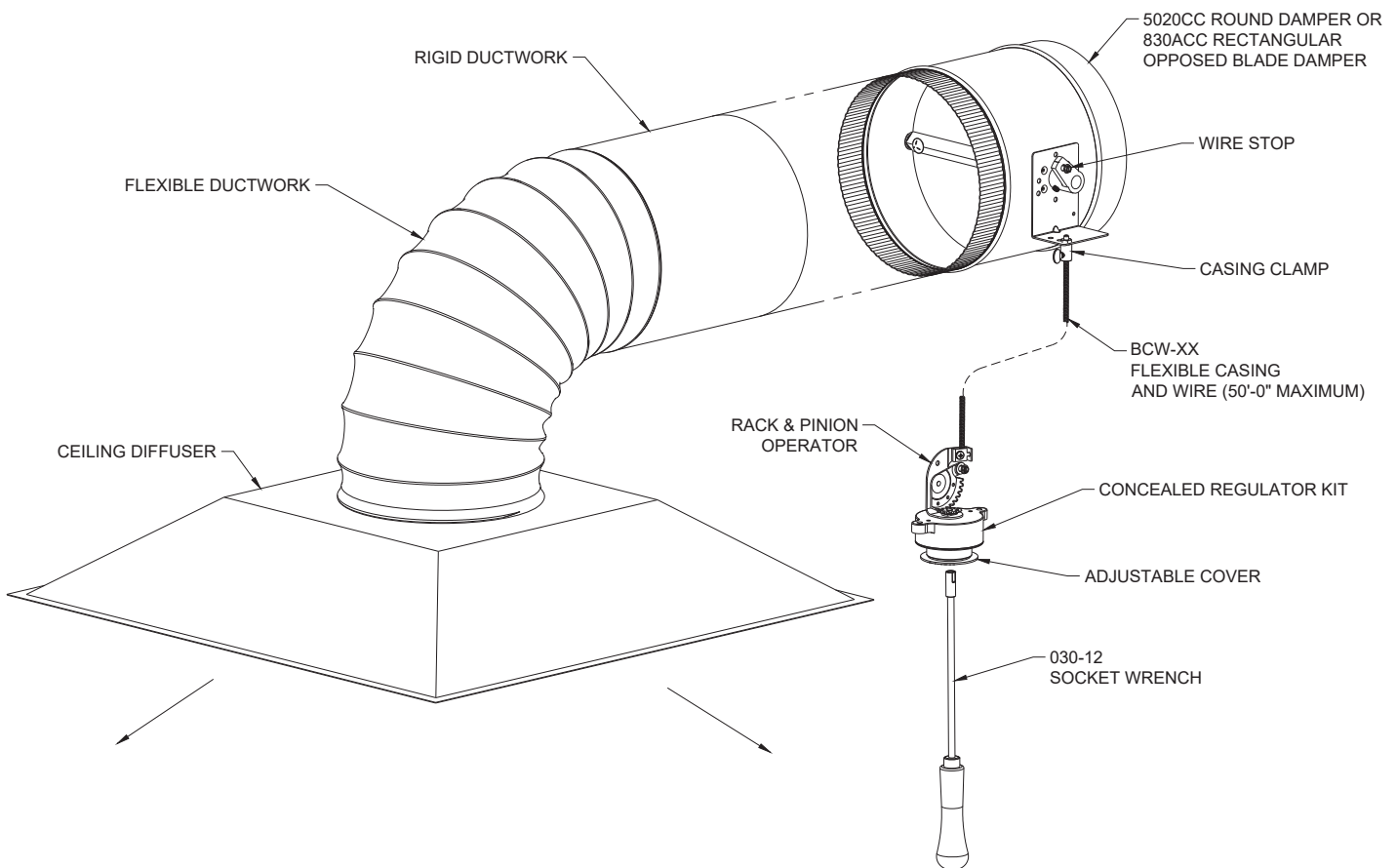
| Quantity | Option | Notes |
|----------|--------|-------|
| | | |
| | | |
| | | |

| | |
|-------------------|-------------------------|
| PROJECT | LOCATION |
| CONTRACTOR | DESIGN SPECIFIER |



Model 270-315
Bowden Remote Cable Control

270-315 BOWDEN CABLE CONTROL SYSTEM



SUGGESTED SPECIFICATION

Damper controller and cable shall be concealed above the ceiling. Cable to consist of Bowden cable .054" stainless steel control wire with a tensile strength of 260,000 lbs. that is encapsulated in 1/16" flexible galvanized spiral wire sheath. Control kit shall consist of 2-5/8" diameter die cast cup with 2-1/4" diameter adjustable cover of nickel plated steel (standard) or primer powder coated (optional), and 14 gauge steel rack and pinion gear drive capable of delivering 35 in. lbs. of push/pull torque that converts rotary motion to push-pull motion. Control shaft shall be D-style flatted 1/4" diameter with 265-degree rotation providing graduations for positive locking and control, and 1-1/2" linear travel capability. Control kit is imbedded in the ceiling with cover adjustable to ceilings 1/2" to 1-1/8" thick. Control kit shall be manually operated using Young Regulator Model 030 wrench. Control kit shall be Young Regulator Model 270-315 or prior approved equal.