



**Young Regulator Co.**

7100 Krick Rd • Walton Hills, OH 44146

P: 440-232-9700 • F: 440-232-8266

www.youngregulator.com

Submit 270 – 1-10

**Model 270-315**

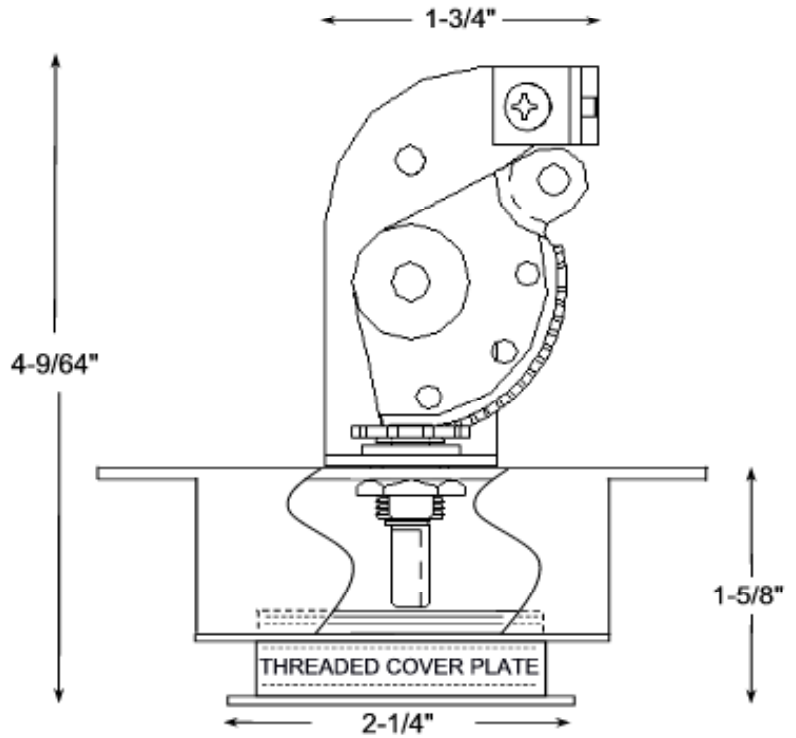
*Bowden Remote Cable Control  
Concealed Ceiling Regulator with Adjustable Cover*

**Application and Design**

Balancing dampers located in inaccessible spaces are now easily controlled with the Young Regulator Bowden Remote Cable Assemblies. Access is concealed in the ceiling, inside plenums, or moved to a convenient area such as a nearby mechanical room or above a lay in ceiling. Access doors can be eliminated for architectural aesthetics.

A flexible casing and wire, (PT #BCW, ordered separately) up to 50' long runs from a steel rack and pinion locking controller to a damper where the rotary motion of the rack and pinion controller is converted to a push-pull motion with a lever arm.

The 270-315 consists of the 270 rack and pinion controller mounted atop a die cast cup that is embedded in a sheetrock or gypsum board ceiling. The cup is 2 5/8" in diameter and 15/16" deep and accepts the 2 1/4" diameter cover, adjustable for ceilings from 1/2" to 1 1/8" thick.



STANDARD CONSTRUCTION		OPTIONS	
Rack and Pinion	14 ga. Galvanized Steel	Primer Coated	Consult the factory for thicker ceilings
Die Cast Cup	2 5/8" Diameter	Mill Finish Cover	
Ceiling Cover	Adjustable, Nickel Plated, from 1/2" - 1 1/8" thick	Chrome Plated Cover	
<b>ACCESSORIES</b>		270-315B with hardware for dampers by others with 1/2" round or 3/8" square damper shafts	
Cover removed with 024 spanner wrench		270-315B-Q with hardware for dampers by others with 5/16" round or 3/8" square damper shafts	
Controlled with model 030-12 wrench			

QUANTITY	MODEL	OPTION	NOTES

<b>PROJECT</b>	<b>LOCATION</b>
<b>CONTRACTOR</b>	<b>DESIGN SPECIFIER</b>



## Young Regulator Co.

7100 Krick Rd • Walton Hills, OH 44146

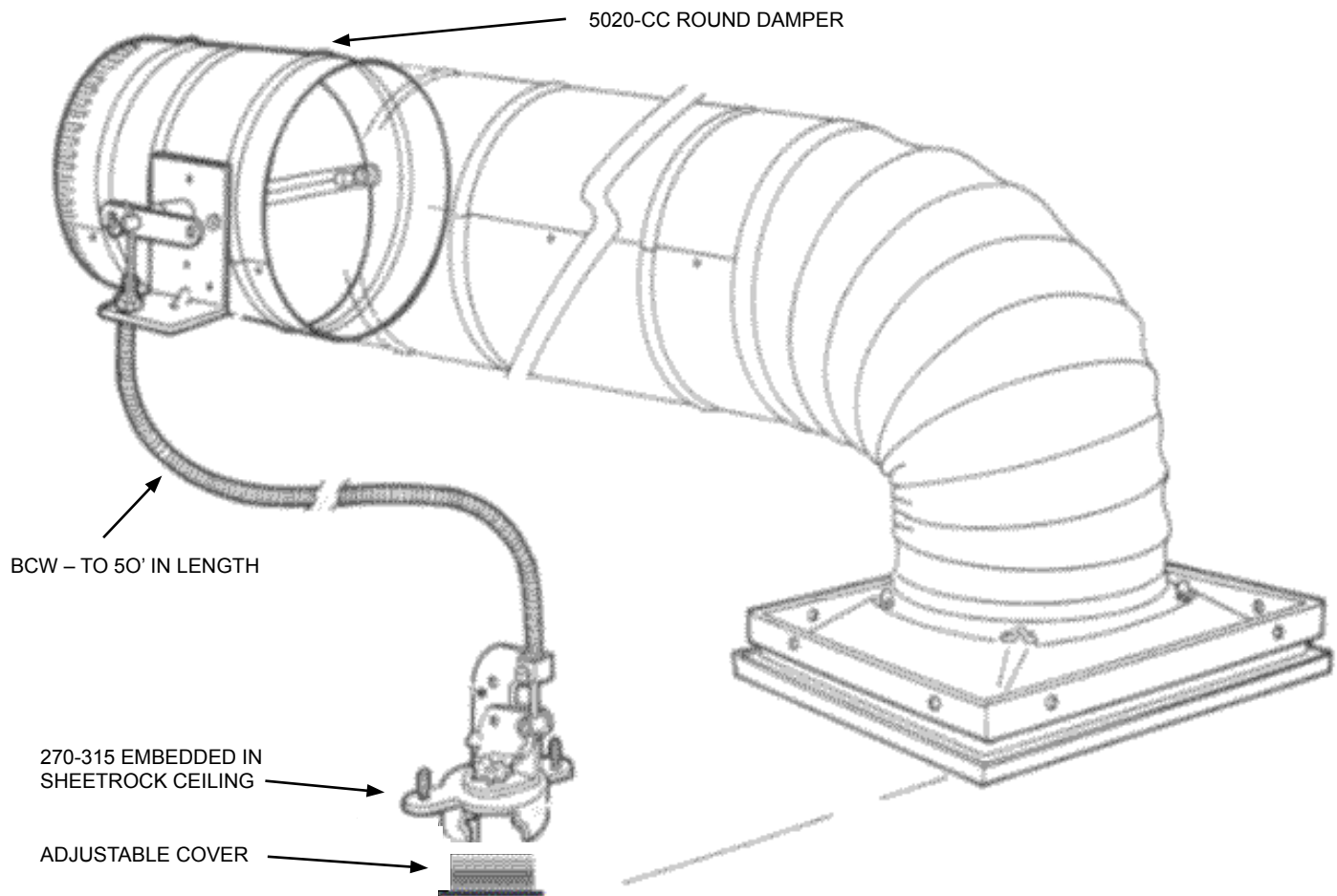
P: 440-232-9700 • F: 440-232-8266

[www.youngregulator.com](http://www.youngregulator.com)

Submit 270 – 1-10

### Model 270-315

*Bowden Remote Cable Control  
Concealed Ceiling Regulator with Adjustable Cover*



## SUGGESTED SPECIFICATION

Damper controller and cable shall be concealed above the ceiling. Cable to consist of Bowden cable .054" stainless steel control wire with a tensile strength of 260,000 lbs. that is encapsulated in 1/16" flexible galvanized spiral wire sheath. Control kit shall consist of 2-5/8" diameter die cast cup with 2 1/4" adjustable cover of nickel plated steel (standard), polished chrome or primer powder coat (all optional), and 14 gauge steel rack and pinion gear drive capable of delivering 35 in. lbs. of push / pull torque that converts rotary motion to push-pull motion. Control shaft shall be D-style flatted 1/4" diameter with 265-degree rotation providing graduations for positive locking and control, and 1-1/2" linear travel capability. Control kit is imbedded in the ceiling with cover adjustable to ceilings 1/2" to 1 1/8" thick. Control kit shall be manually operated using Young Regulator Model 030 wrench. Control kit shall be Young Regulator Model 270-315 or prior approved equal.