



**Young Regulator Co.**

7100 Krick Rd • Walton Hills, OH 44146

P: 440-232-9700 • F: 440-232-8266

[www.youngregulator.com](http://www.youngregulator.com)

Submit 270-302

**Model 270-302**

*Bowden Remote Cable Control*

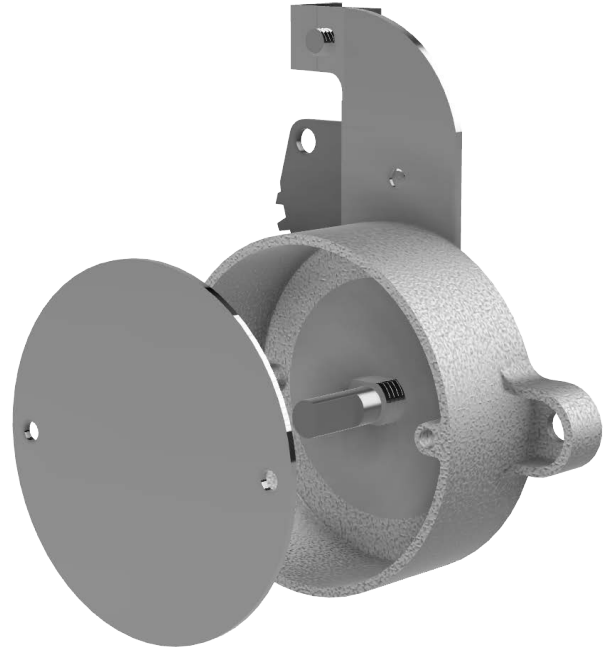
*Concealed Wall Regulator with 3" Cover Plate*

**Application and Design**

Balancing dampers located in inaccessible spaces are now easily controlled with the Young Regulator Bowden Remote Cable Assemblies. Access is concealed in the ceiling, inside plenums, or moved to a convenient area such as a nearby mechanical room or above a lay in ceiling. Access doors can be eliminated for architectural aesthetics.

A flexible casing and wire up to 50' long runs from a steel rack and pinion locking controller to a damper where the rotary motion of the rack and pinion controller is converted to a push-pull motion with a lever arm.

The 270-302 is a concealed wall regulator with 3" cover plate. Zinc plated finish is standard, with optional stainless steel, chrome, and power coated finish. Options include stainless and power coated cover plates, and tamper proof screws.



QUANTITY	MODEL	OPTION	NOTES
PROJECT		LOCATION	
CONTRACTOR		DESIGN SPECIFIER	



## Young Regulator Co.

7100 Krick Rd • Walton Hills, OH 44146

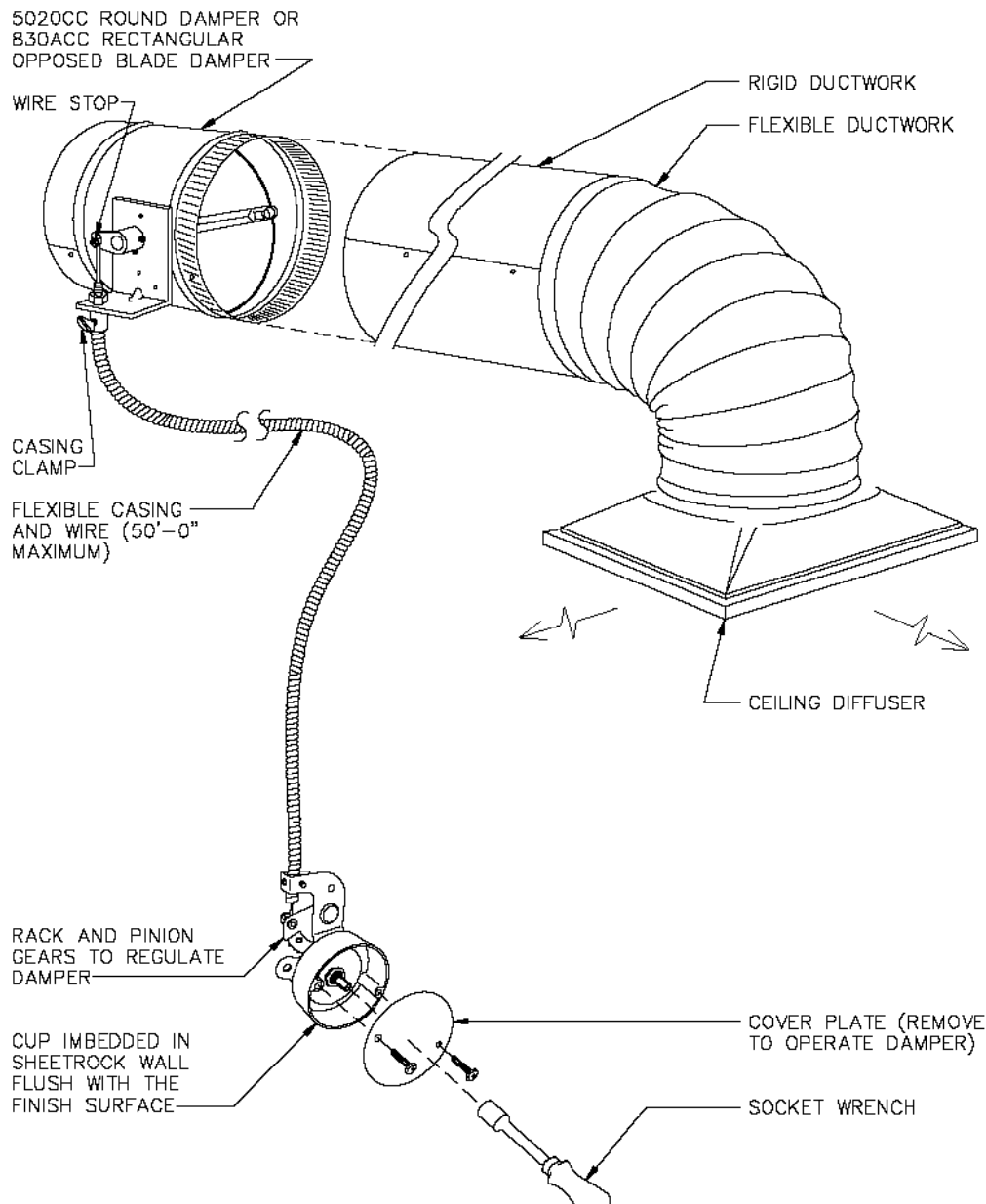
P: 440-232-9700 • F: 440-232-8266

[www.youngregulator.com](http://www.youngregulator.com)

Submit 270-302 – 1-10

### Model 270-302

*Bowden Remote Cable Control  
Concealed Wall Regulator with 3" Cover Plate*



### 270-302

Damper controller and cable shall be concealed behind the wall. Cable to consist of Bowden cable .054" stainless steel control wire encapsulated in 1/16" flexible galvanized spiral wire sheath. Control kit shall consist of 2-5/8" diameter die cast aluminum housing with 3" diameter zinc plated [polished chrome is optional] cover, and 14 gauge steel rack and pinion gear drive converting rotary motion to push-pull motion. Control shaft shall be D-style flatted 1/4" diameter with 265 degree rotation providing graduations for positive locking and control, and 1-1/2" linear travel capability. Control kit is designed to be imbedded in the wall flush with the finished surface. Control kit shall be manually operated using Young Regulator Model 030-12 wrench. Control kit shall be Young Regulator Model 270-302 or prior approved equal.