



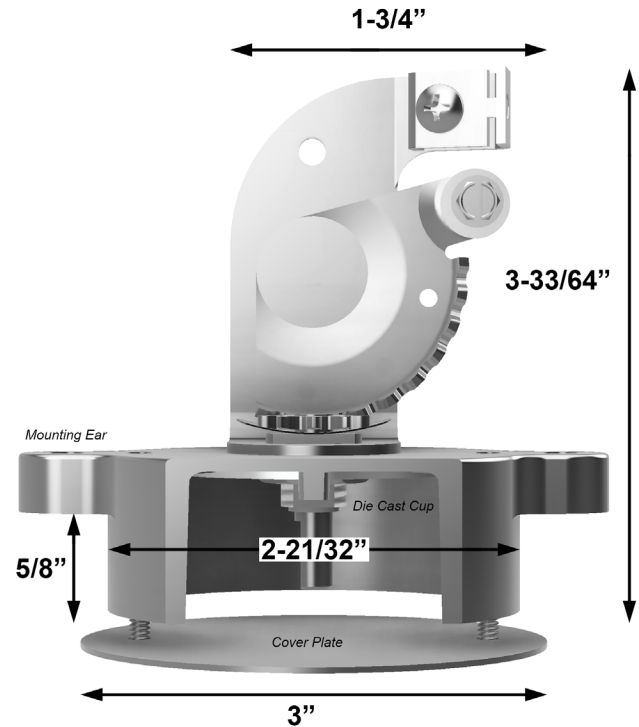
Model 270-301
Bowden Remote Cable Control

Application and Design

Balancing dampers located in inaccessible spaces are now easily controlled with the Young Regulator Bowden Remote Cable Assemblies. Access is concealed in the ceiling, inside plenums, or moved to a convenient area such as a nearby mechanical room or above a lay in ceiling. Access doors can be eliminated for architectural aesthetics.

A flexible casing and wire, (PT #BCW, ordered separately) up to 50' long runs from a steel rack and pinion locking controller to a damper where the rotary motion of the rack and pinion controller is converted to a push-pull motion with a lever arm.

The 270-301 consists of the 270 rack and pinion controller mounted atop a die cast cup that is embedded in a sheetrock or gypsum board ceiling so that the unit is flush with the finished surface. The cup is 2 5/8" in diameter and 15/16" deep, with a 3" cover plate that is secured by two 6-32 x 5/8" stainless steel machine screws that are removed for damper adjustment.



STANDARD CONSTRUCTION

Rack and Pinion	14 ga. Galvanized Steel
Die Cast Cup	2-5/8" Diameter
Cover Plate	3" Zinc Plated

ACCSSORIES

Controlled with model 030-12 wrench
BCW - Bowden Casing and Wire (ordered seperately by the foot or in bulk)

OPTIONS

Zinc Cover (Standard)	Oversized Zinc Cover
Primer Coated Cover	Oversized Primer Coated Cover
Stainless Steel Cover	Oversized Stainless Steel Cover
Tamper Proof Screws	

Order "270-XXXB" for dampers with 1/2" round or 3/8" square shafts

Order "270-XXXB-Q" for dampers with 5/16" round or 1/4" square shafts

Quantity	Option	Notes

PROJECT	LOCATION
CONTRACTOR	DESIGN SPECIFIER



Model: 301 Cover Plates

Available as substitutes or as replacements



Standard

Zinc
301-08-ZZ



Oversized

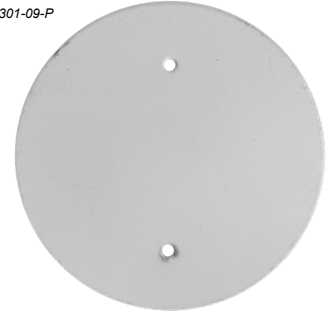
Zinc
301-09-Z



Primer Coated
301-08-P



Primer Coated
301-09-P



Stainless Steel
301-08-2SS



Stainless Steel
301-09-2SS



Cover Plate Options:

- **Zinc**
Matte finish
(Standard with all 301 series terminations)
- **White Primer Coated**
White color primer coated finish
(Cover plate is able to be painted)
- **Stainless Steel**
Reflective, mirror-like finish

*All cover plate options are available in Oversized

*Oversized cover plates do not include embossed Young Regulator logo

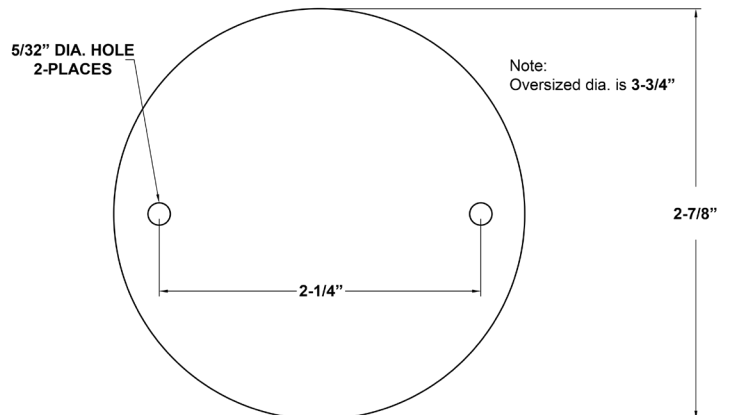
Accessories:

- **Tamper Proof Screws**
Part #: 980 *982-T10 Wrench Required

Available on:

- | | | |
|-------------|-----------|------------------------|
| • 270-301 | • EBD-301 | • 301-SS |
| • 270-301EZ | • EBD-302 | • 301-PC |
| • 270-301BC | • 301-CC | |
| • 270-302 | • 301-BCC | *Also available on all |
| • 301-FS | • 301-Z | corresponding B-Kits |

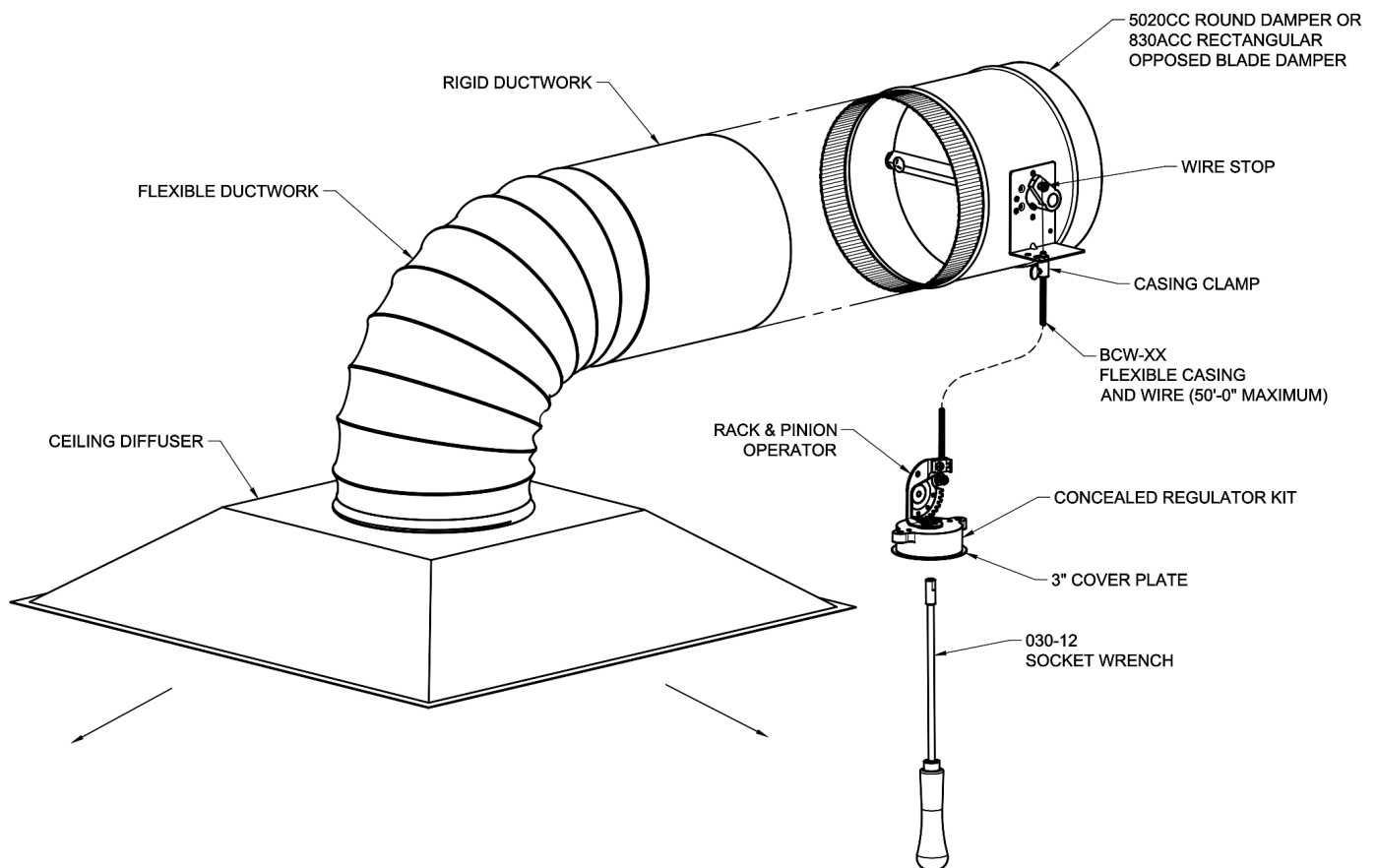
Dimensional Drawing:





Model 270-301
Bowden Remote Cable Control

270-301 BOWDEN CABLE CONTROL SYSTEM



SUGGESTED SPECIFICATION

Damper controller and cable shall be concealed above the ceiling. Cable to consist of Bowden cable .054" stainless steel control wire with a tensile strength of 260,000 lbs. that is encapsulated in 1/16" flexible galvanized spiral wire sheath. Control kit shall consist of 2-5/8" diameter die cast aluminum housing with 3" diameter zinc plated [primer powder coat and stainless steel are optional] cover, and 14 gauge steel rack and pinion gear drive capable of delivering 35 in. lbs. of push/ pull torque that converts rotary motion to push-pull motion. Control shaft shall be D-style flattened 1/4" diameter with 265-degree rotation providing graduations for positive locking and control, and 1-1/2" linear travel capability. Control kit is imbedded in the ceiling flush with the finished surface. Control kit shall be manually operated using Young Regulator Model 030 wrench. Control kit shall be Young Regulator Model 270-301 or prior approved equal.