



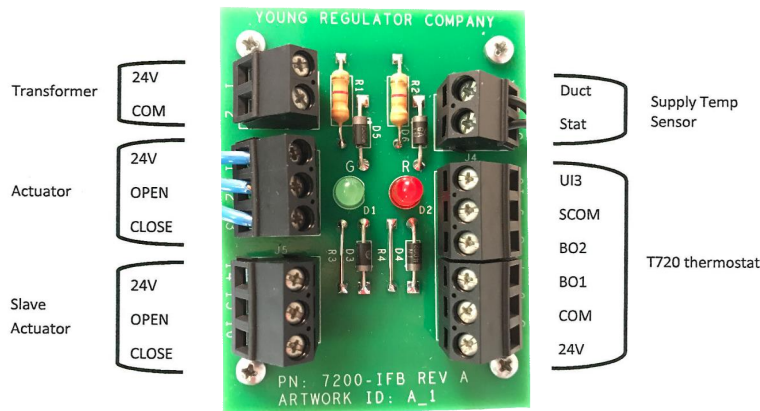
Engineering Specifications

The interface board for the T720 thermostat is provided to aid in the installation of the thermostat and damper assembly. With this option, the supply temperature sensor is preinstalled in the damper and the connections are prewired to the primary actuator and sensor at the factory. Field connections consist of the transformer and thermostat wiring. For convenience, an extra terminal block is provided for installation to a slave damper.

Sequence of Operation:

The supply temperature sensor (AKA duct stat) determines if warm or cold air is available in the supply. This information is shown on the thermostat by displaying Heating mode or Cooling mode. As the thermostat works to control the space temperature to the set-point, the damper will open, close, or modulate as needed. The Interface Board features a GREEN and a RED LED. When lit,

- The GREEN LED indicates the damper is opening
- The RED LED indicates the damper is closing
- When BOTH are lit, the thermostat is satisfied and the damper is stalled



WIRING SCHEMATICS

NOTE: Young Regulator recommends the use of 18 gauge thermostat wire

