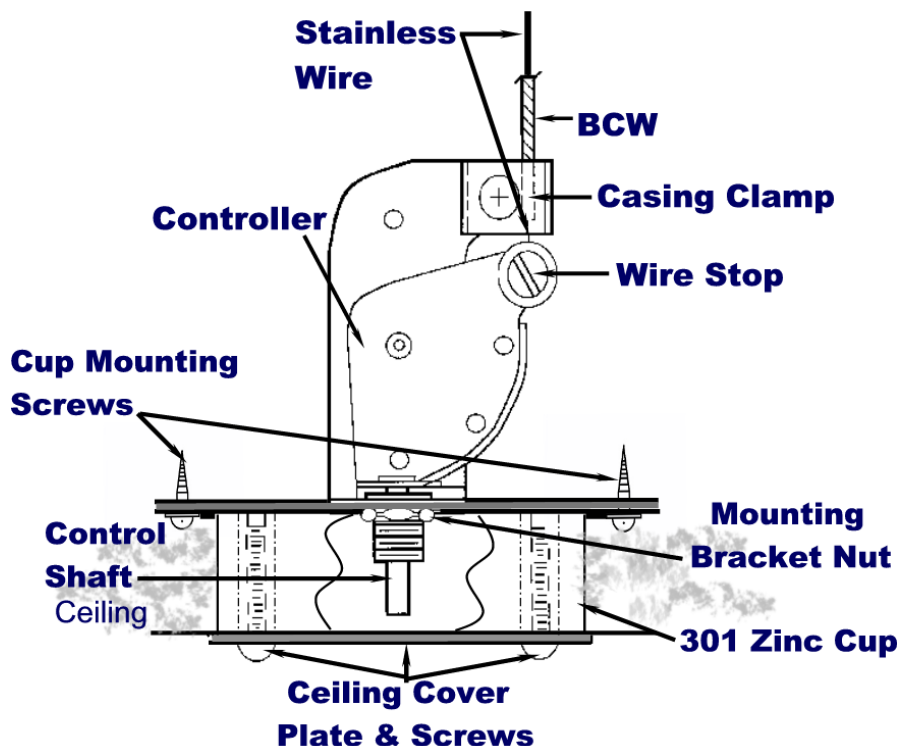


BOWDEN CABLE CONTROL 270-301 CONCEALED CEILING REGULATOR REMOTE CONTROL KIT



1. Install controller in mounting cup using mounting bracket nut.
2. Cut a hole 2 3/4" in diameter in ceiling at desired location. Install cup in ceiling (mounting screws by others).
3. Thread stainless steel wire through galvanized steel casing.
4. Attach casing to controller with casing clamp.
5. Thread wire through hole in wire stop and tighten hex head setscrew onto wire. Rotate control shaft using control wrench until controller is in the position shown in this diagram, full closed.
6. Secure cover to cup with cover plate screws.
7. Proceed with damper hardware kit.

Note: To balance system, remove cover plate to turn control shaft using # 030-12 control wrench. Intermittent positive stop will allow damper to open and close and lock damper blade in place between open and close.