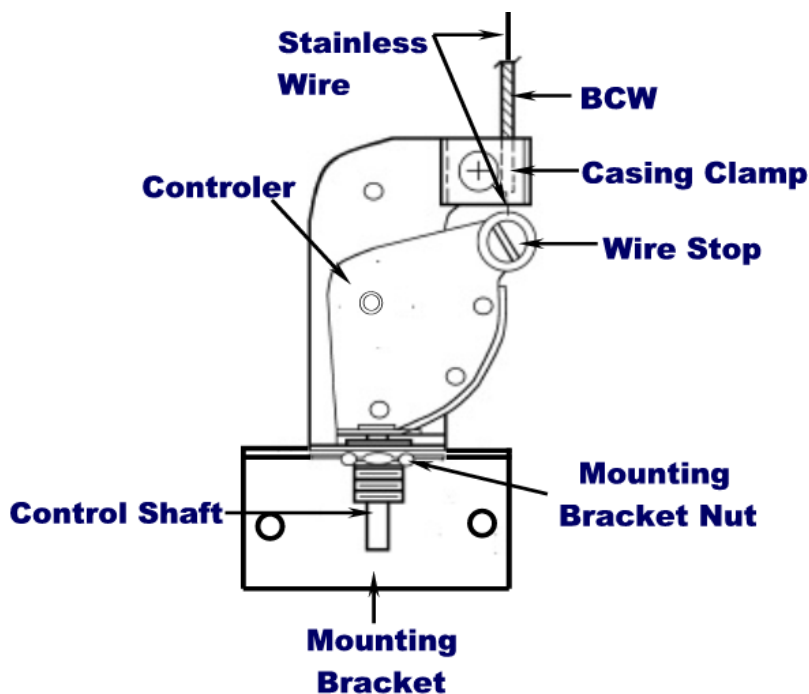


## BOWDEN CABLE CONTROL 270-275

Mounted on Ceiling Joist, In Plenum, On diffuser or  
Access Panel



1. Install controller to mounting bracket using mounting bracket nut.
2. Install mounting bracket with controller to ceiling joist, plenum, diffuser or access panel (mounting screws by others).
3. Thread stainless steel wire through galvanized steel casing.
4. Attach casing to controller with casing clamp.
5. Thread wire through the hole in the wire stop and tighten setscrew onto wire. Rotate control shaft using control wrench until controller is in the position shown in this diagram, full closed.
6. Proceed with damper hardware kit.

**Note:** To balance system, remove cover plate to turn control shaft using #030-12 control wrench. Intermittent positive stop will allow damper to open and close and lock damper blade in place between open and close.