



Young Regulator Co.

7100 Krick Rd • Walton Hills, OH 44146

P: 440-232-9700 • F: 440-232-8266

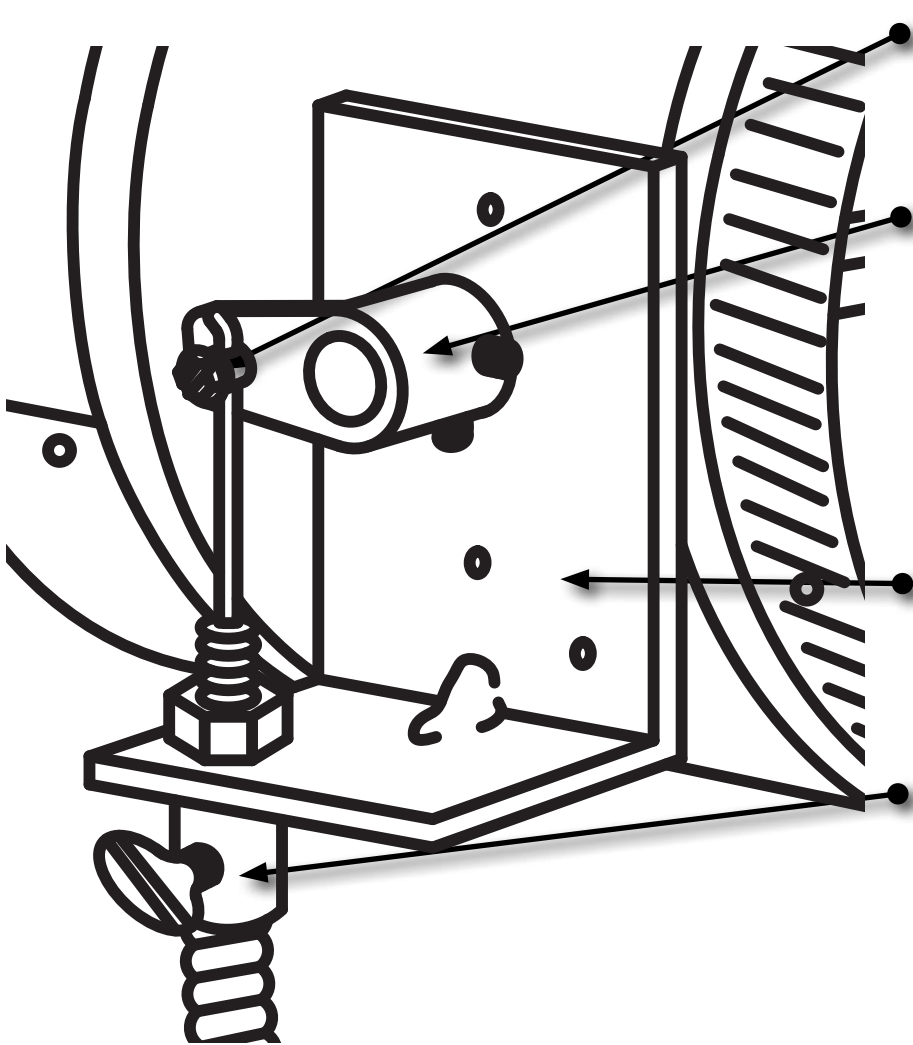
www.youngregulator.com

Submit 030-12 – 1-10

Bowden Cable Controls

Hardware for Dampers by Others

Contained In Each "B" Kit



WIRE STOP

PT# 270-02 – Secures inner wire to hub – includes barrel nut with hole and screw

HUB - Specify Shaft Diameter

PT# 270-65-3/8 - for 1/2" round and 3/8" square damper shaft

or

PT# 270-65-1/4 - for 5/16" round and 1/4" square damper shafts

or

PT# 270-65-3/4 - for 3/4" round and 1/2" square damper shafts

DAMPER ANGLE BRACKET

PT# 5020-15 – Fastens to damper shell or frame

CASING COUPLING

PT.# 270-CC – Secures outer casing to angle bracket
Includes keps nut and thumb screw

Specify Damper Shaft Size When Ordering

QUANTITY	CONTROLLER	SHAFT DIAMETER	NOTES
PROJECT		LOCATION	
CONTRACTOR		DESIGN SPECIFIER	