



**Young Regulator Co.**

7100 Krick Rd • Walton Hills, OH 44146

P: 440-232-9700 • F: 440-232-8266

[www.youngregulator.com](http://www.youngregulator.com)

Submit 927 1-10

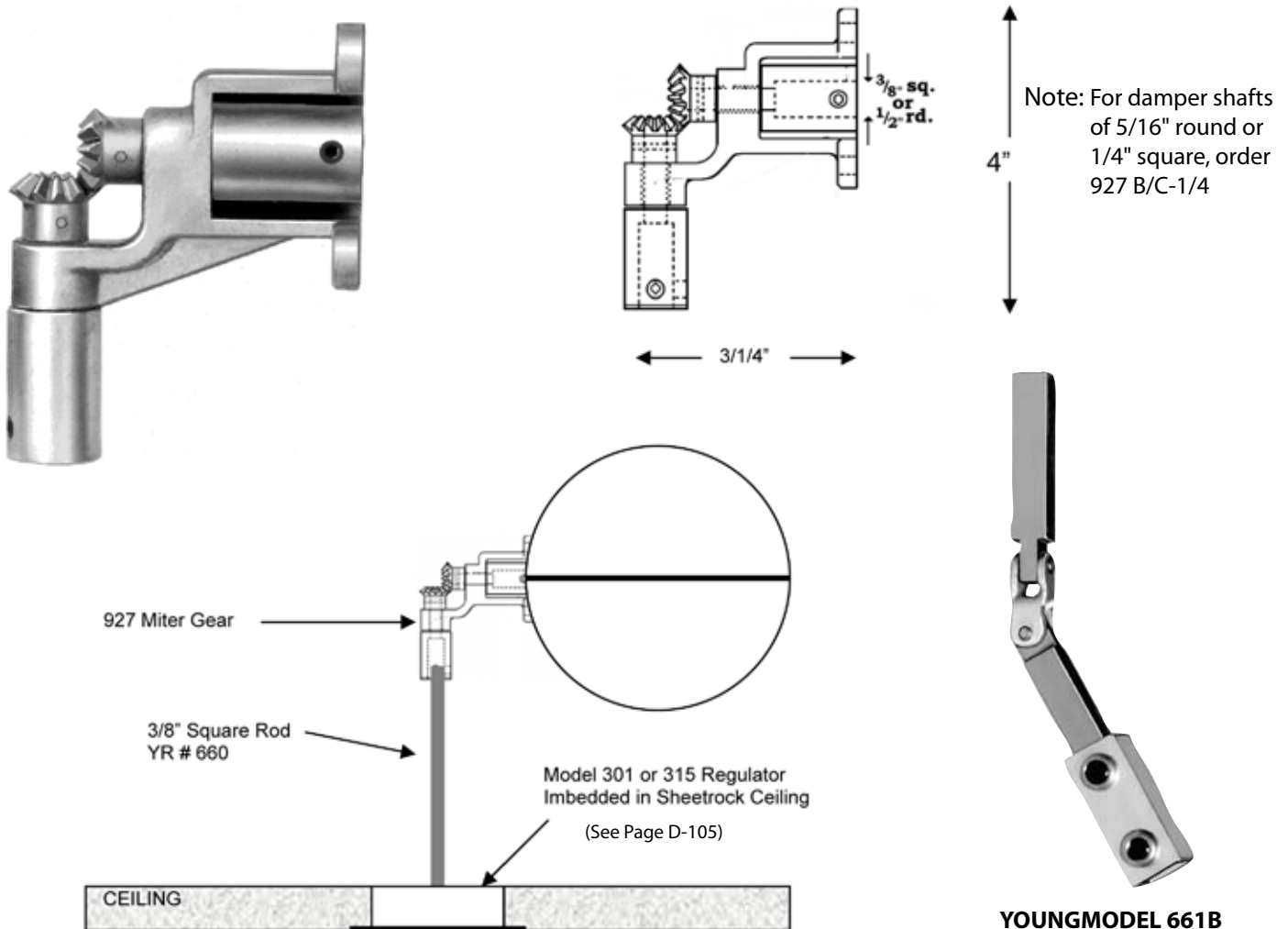
**Model 927C and 927B**

*Right Angle Miter Gears*

*Also Model 661B Universal Joints*

**Application and Design**

Young 927 miter gears are used when the operating shaft must be carried down at a right angle to the damper shaft. Often the 927 miter gear is used with a model 301 or 315 ceiling regulator and a length of 3/8" square rod to control a damper above a ceiling. Two models are available, 927C die cast gears for regular applications and 927B precision cut steel gears for longer life and a variety of heavy-duty applications. Damper shaft can be either 3/8" square or 1/2" round. Four 1/4-20 mounting bolts and nuts are supplied with each set of miter gears. Contact the factory to accommodate other sizes shafts.



Note: Shown with round damper, will work with rectangular dampers as well.

For use where damper does not line up exactly with 301 or 315 Ceiling Regulator or an obstruction is in the way. Angle of offset not more than 30°. One is shown, a pair is required – sold in pairs.