



**Young Regulator Co.**

7100 Krick Rd • Walton Hills, OH 44146  
 P: 440-232-9700 • F: 440-232-8266  
[www.youngregulator.com](http://www.youngregulator.com)

Submit 800AWO – 1-10

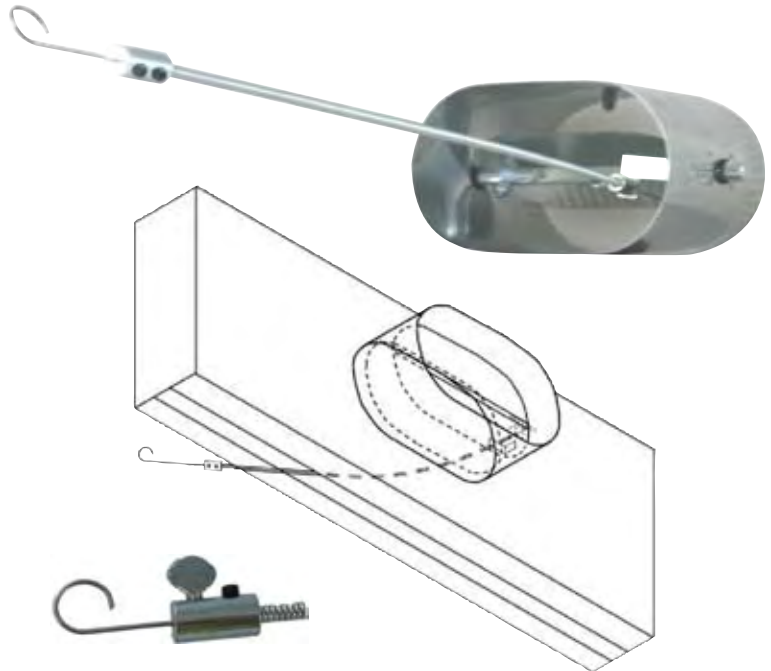
**Model 800AWO**  
*Oval Cable Controlled Damper*

**Application and Design**

Cable operated dampers are a convenient way to balance airflow to a diffuser. The model 800AWO is an oval cable controlled damper used to control air to a low profile plenum with an oval air inlet.

A commercial built oval damper, with 1/2" steel shaft, bearings and blade stop, slips on to the collar of the plenum. The opposite end of the sleeve is crimped for easy installation of the flexible duct.

A flexible casing and wire, fastened to the damper blade, is carried down into the plenum where it is accessible from inside the slot diffuser. A push / pull motion of the wire opens and closes the damper. When the desired airflow is achieved, the damper is locked in place with a convenient thumb screw. The cable is then relocated out of sight above the slot diffuser inside the plenum.



**STANDARD CONSTRUCTION**

Shell	24 ga. Galvanized Steel
Blade	20 ga. Galvanized Steel
Shaft	1/2" Plated Steel
Bushing	Synthetic

**SIZE INFORMATION** One end straight, one end crimped.

Oval Equivalent	6" - 12" See Charts
Shell Length	6"

**OPTIONS** Other plenum manufacturers -Including Metal Industries

Various Cable Lengths to 8'	Low Leak Seals
Bowden Cable Controlled	Rectangular Dampers
Round Dampers	Cable Exits Crimped End -

Worm Gear Regulators Controlled

**OVAL DAMPERS FOR PRICE PLENUMS W/ OVAL INLET**

SIZE	MODEL #	WIDTH	HEIGHT
6" OVAL	800AWO-P-06	7"	4"
8" OVAL	800AWO-P-08	10 1/8"	4"
10" OVAL	800AWO-P-10	13 1/4"	4"
12" OVAL	800AWO-P-12	16 3/8"	4"

**OVAL DAMPERS FOR TITUS PLENUMS W/ OVAL INLET**

SIZE	MODEL #	WIDTH	HEIGHT
6" OVAL	800AWO-T-06	6 1/4"	5 1/4"
8" OVAL	800AWO-T-08	9 3/8"	5 1/4"
10" OVAL	800AWO-T-10	12 1/2"	5 1/4"
12" OVAL	800AWO-T-12	14 1/4"	8"

QUANTITY	MODEL NUMBER	NOTES

<b>PROJECT</b>	<b>LOCATION</b>
<b>CONTRACTOR</b>	<b>DESIGN SPECIFIER</b>