



Young Regulator Co.

7100 Krick Rd • Walton Hills, OH 44146

P: 440-232-9700 • F: 440-232-8266

www.youngregulator.com

Submit 270 – 1-10

Model 270-896

Bowden Remote Cable Control

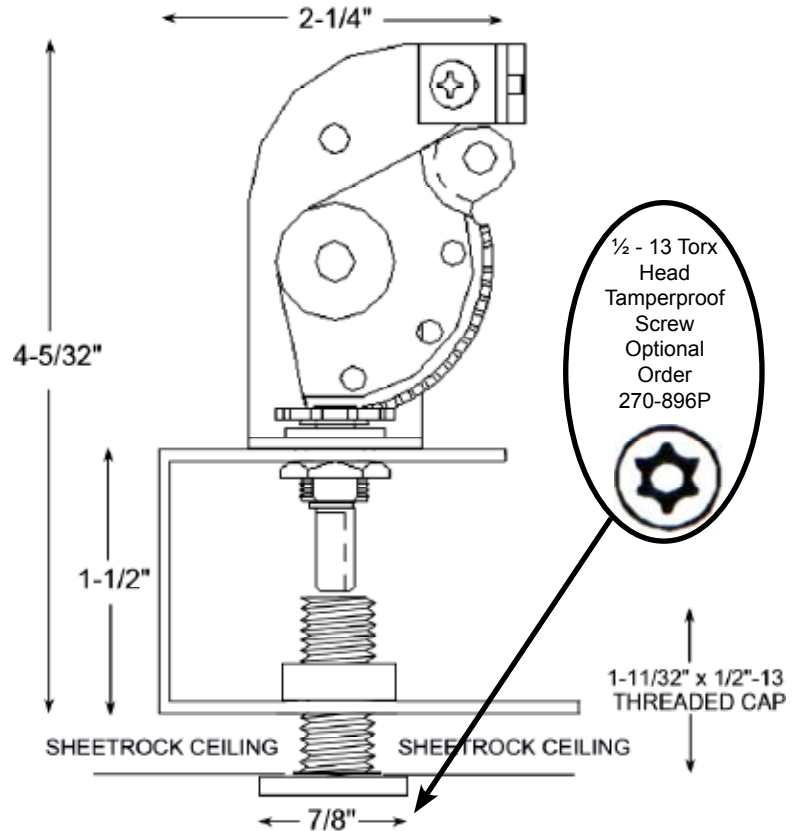
Concealed Ceiling Regulator with 7/8" Threaded Cap

Application and Design

Balancing dampers located in inaccessible spaces are now easily controlled with the Young Regulator Bowden Remote Cable Assemblies. Access is concealed in the ceiling, inside plenums, or moved to a convenient area such as a nearby mechanical room or above a lay in ceiling. Access doors can be eliminated for architectural aesthetics.

A flexible casing and wire, (PT #BCW, ordered separately) up to 50' long runs from a steel rack and pinion locking controller to a damper where the rotary motion of the rack and pinion controller is converted to a push-pull motion with a lever arm.

The 270-896 provides access through a 7/8" screw cap concealed in the drywall ceiling. The rack and pinion controller is mounted atop a convenient "C" bracket that fastens to a ceiling support stud above the ceiling. The bracket receives the threaded cap. An optional tamper proof torques head pan screw cap is available for secure environments.



STANDARD CONSTRUCTION

Rack and Pinion	14 ga. Galvanized Steel
C Bracket	18 ga. Galvanized Steel
Threaded Cap	Zinc Plated Steel

Pem nut receives 1/2" - 13" threaded cap

ACCESSORIES

Controlled with model 030-12 wrench

BCW - Bowden Casing and Wire - ordered separately by the foot or in bulk

OPTIONS

270-896-P Tamper proof torques head screw cap

270-896B includes hardware for dampers by others with 1/2" round and /or 3/8" square shaft

270-896B-Q Includes hardware for dampers by others with 5/16" round or 1/4" square shaft

896-311-2 2" long threaded cap for ceilings to 1" thick

QUANTITY	MODEL	OPTION	NOTES

PROJECT	LOCATION
CONTRACTOR	DESIGN SPECIFIER



Young Regulator Co.

7100 Krick Rd • Walton Hills, OH 44146

P: 440-232-9700 • F: 440-232-8266

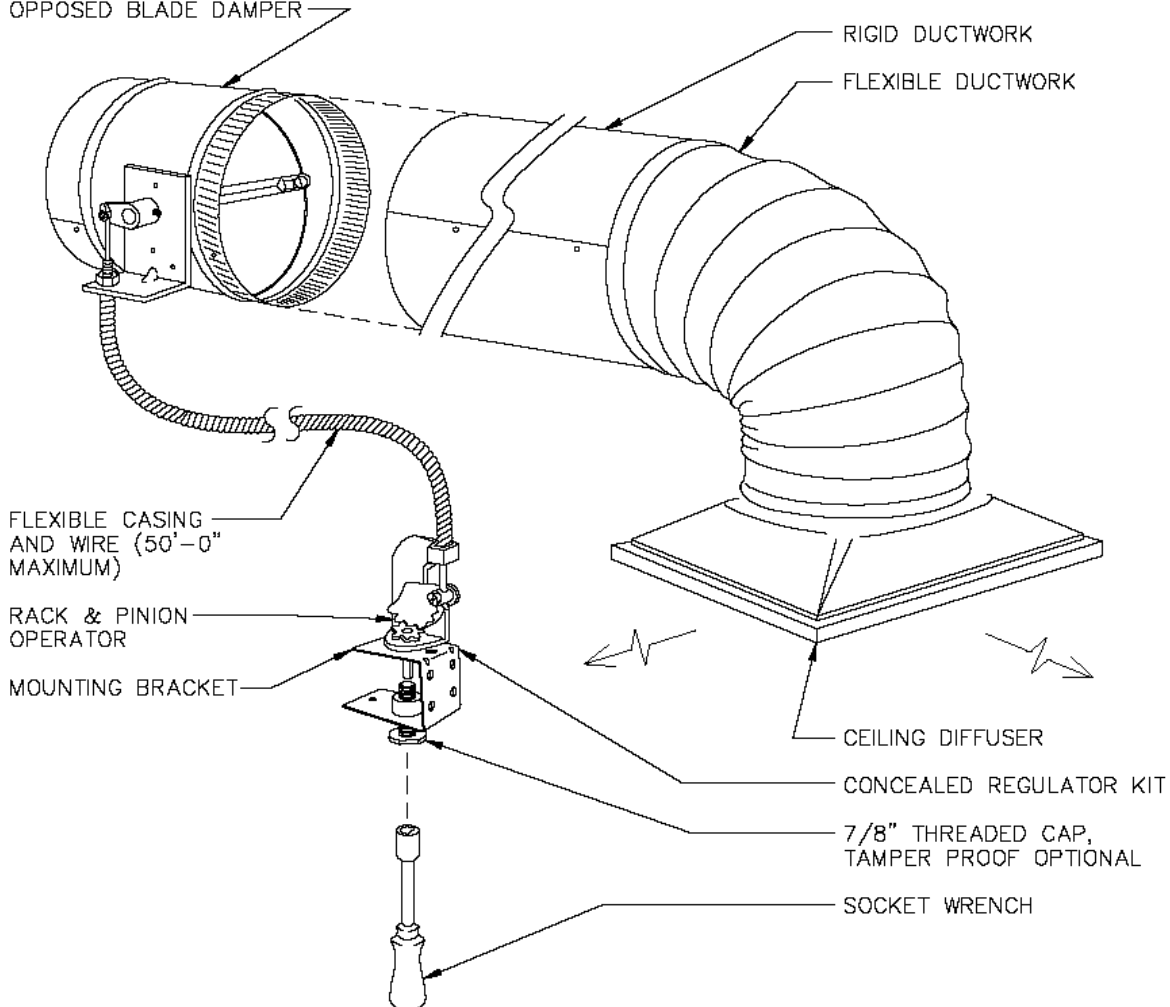
www.youngregulator.com

Submit 270 – 1-10

Model 270-896

*Bowden Remote Cable Control
Concealed Ceiling Regulator with 7/8" Threaded Cap*

5020CC ROUND DAMPER OR
830ACC RECTANGULAR
OPPOSED BLADE DAMPER



270-896 BOWDEN CABLE CONTROL SYSTEM

270-896 SUGGESTED SPECIFICATION

Damper controller and cable shall be concealed above the ceiling. Cable to consist of Bowden cable .054" stainless steel control wire with a tensile strength of 260,000 lbs. that is encapsulated in 1/16" flexible galvanized spiral wire sheath. Control kit shall consist of "C" bracket to fastened above the ceiling, 7/8" diameter cold rolled steel zinc plated threaded cap suitable for painting, and 14 gauge steel rack and pinion gear drive capable of delivering 35 in. lbs. of push / pull torque that converts rotary motion to push-pull motion. Control shaft shall be D-style flatted 1/4" diameter with 265-degree rotation providing graduations for positive locking and control, and 1-1/2" linear travel capability. Control kit is designed to be imbedded in the ceiling flush with the finished surface. Control kit shall be manually operated using Young Regulator Model 030 wrench. Control kit shall be Young Regulator Model 270-896 or prior approved equal.