



Young Regulator Co.

7100 Krick Rd • Walton Hills, OH 44146

P: 440-232-9700 • F: 440-232-8266

www.youngregulator.com

Submit 270-301 8/15

Model 270-301

Bowden Remote Cable Control

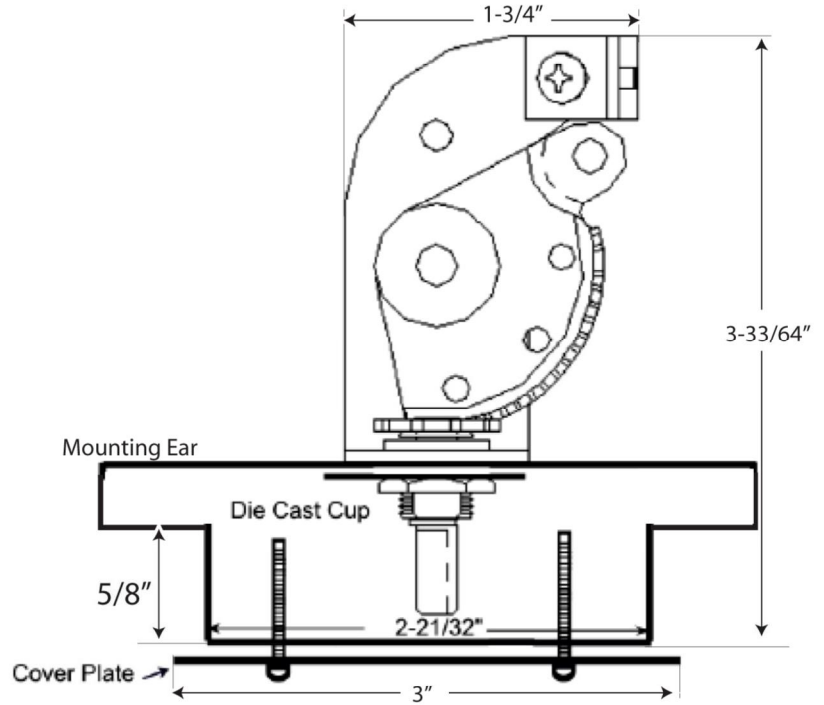
Concealed Ceiling Regulator with Cup and 3" Cover Plate

Application and Design

Balancing dampers located in inaccessible spaces are now easily controlled with the Young Regulator Bowden Remote Cable Assemblies. Access is concealed in the ceiling, inside plenums, or moved to a convenient area such as a nearby mechanical room or above a lay in ceiling. Access doors can be eliminated for architectural aesthetics.

A flexible casing and wire, (PT #BCW, ordered separately) up to 50' long runs from a steel rack and pinion locking controller to a damper where the rotary motion of the rack and pinion controller is converted to a push-pull motion with a lever arm.

The 270-301 consists of the 270 rack and pinion controller mounted atop a die cast cup that is embedded in a sheetrock or gypsum board ceiling so that the unit is flush with the finished surface. The cup is 2 5/8" in diameter and 15/16" deep, with a 3" cover plate that is secured by two 6-32 x 5/8" stainless steel machine screws that are removed for damper adjustment.



STANDARD CONSTRUCTION

Rack and Pinion	14 ga. Galvanized Steel
Die Cast Cup	2 5/8" Diameter
Cover Plate	3" Zinc Plated

ACCESSORIES

- Controlled with model 030-12 wrench
- BCW - Bowden Casing and Wire - ordered separately by the foot or in bulk

OPTIONS

- Primer Coated Cover
- Stainless Steel Cover
- Chrome Plated Cover
- Oversized Cover
- Directional Arrows to Indicate Blade Positioning
- Tamper Proof Screws
- Order "270-XXXB" for dampers with 1/2" round or 3/8" square damper shafts
- Order "270-XXXB-Q" for dampers with 5/16" round or 1/4" square damper shafts
- Contact the factory for other damper shaft sizes.

QUANTITY	MODEL	OPTIONS	NOTES

PROJECT	LOCATION
CONTRACTOR	DESIGN SPECIFIER



Young Regulator Co.

7100 Krick Rd • Walton Hills, OH 44146

P: 440-232-9700 • F: 440-232-8266

www.youngregulator.com

Submit 270 – 1-10

Model 270-301

Bowden Remote Cable Control

Concealed Ceiling Regulator with Cup and 3" Cover Plate

5020CC ROUND DAMPER OR
830ACC RECTANGULAR
OPPOSED BLADE DAMPER

WIRE STOP

RIGID DUCTWORK

FLEXIBLE DUCTWORK

CASING
CLAMP

FLEXIBLE CASING
AND WIRE (50'-0"
MAXIMUM)

RACK & PINION
OPERATOR

DIE CAST MOUNTING
CUP

3"Ø COVER PLATE

CEILING DIFFUSER

CONCEALED REGULATOR KIT

SOCKET WRENCH

270-301 BOWDEN CABLE CONTROL SYSTEM

SUGGESTED SPECIFICATION

Damper controller and cable shall be concealed above the ceiling. Cable to consist of Bowden cable .054" stainless steel control wire with a tensile strength of 260,000 lbs. that is encapsulated in 1/16" flexible galvanized spiral wire sheath. Control kit shall consist of 2-5/8" diameter die cast aluminum housing with 3" diameter zinc plated [polished chrome, primer powder coat and stainless steel are optional] cover, and 14 gauge steel rack and pinion gear drive capable of delivering 35 in. lbs. of push / pull torque that converts rotary motion to push-pull motion. Control shaft shall be D-style flatted 1/4" diameter with 265-degree rotation providing graduations for positive locking and control, and 1-1/2" linear travel capability. Control kit is imbedded in the ceiling flush with the finished surface. Control kit shall be manually operated using Young Regulator Model 030 wrench. Control kit shall be Young Regulator Model 270-301 or prior approved equal.