



Young Regulator Co.

7100 Krick Rd • Walton Hills, OH 44146
 P: 440-232-9700 • F: 440-232-8266
www.youngregulator.com

Submit 2015 – 1-10

Model 2015

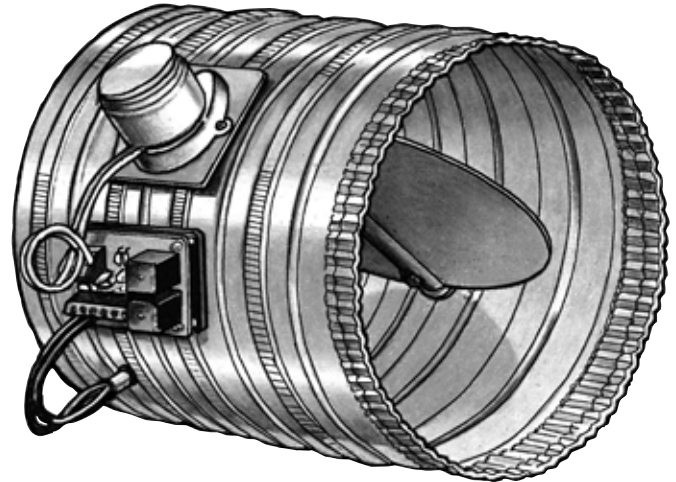
*Round Automatic Changeover Damper
 Power Open / Power Close Operation*

Application and Design

The Model 2015 damper can be used to control a single room or, by using several dampers, zone a number of rooms. No zone control panel required!! SOLVES ISOLATED OVER-HEATING AND OVER-COOLING PROBLEMS. A built in sensor and automatic changeover relay board senses supply air temperature for heating mode or cooling mode. If cold air is sensed, the damper will open on a rise in temperature. If hot air is sensed, the damper will close on a rise in temperature.

Supply air temperature of 72° or greater is considered heat, supply air temperature less than 72° is considered cooling.

The motor is 24V. Use the T-312-CE Thermostat to control 2015. Up to four dampers can be controlled from a single thermostat. For drone damper, use our model 4015.



STANDARD CONSTRUCTION	
Shell	4" - 9" 24 ga. Galvanized Steel 10" - 12" 20 ga. Galvanized Steel
Blade	20 ga. Galvanized Steel
Shaft	1/2" Plated Steel
Bushing	Oil Impregnated Bronze
SIZE INFORMATION One end straight, one end crimped. Rolled stiffening beads	
Diameter	4" - 12"
Shell Length	8"

SYNCHRONOUS ACTUATOR DRIVE OPEN / DRIVE CLOSE	
Special windings and heavy-duty steel gearing provide for long life and easy spring return operation. Cross pin on motor shaft provides positive direct drive to damper without a coupling or setscrews and allows for quick and easy motor change.	
Volts	24V
Watts	6
VA	6
Amp	.25
Timing	15 Sec Powered. Both Directions.
Torque	35 in. oz.
Built in motor stop for minimum air	

OPTIONS	
Transformers	Thermostats
Low Leak Seals	For drone, use model 4015

QUANTITY	DIAMETER	NOTES

PROJECT	LOCATION
CONTRACTOR	DESIGN SPECIFIER