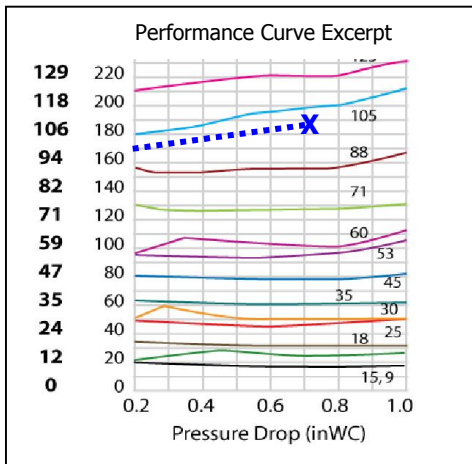
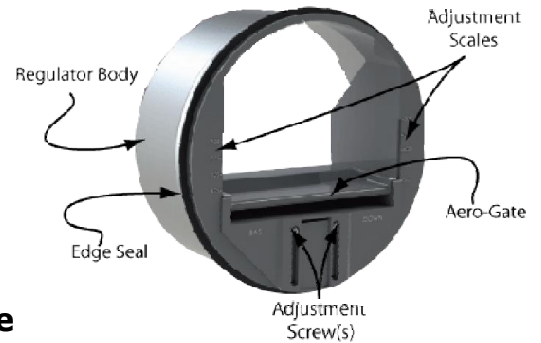




Constant Volume Regulators Installation Notes

The CVR is a precision regulator and must be installed correctly. See CVR Mechanical Drawings for enclosure dimensions.

Constant Volume Regulator (CVR)



Choose the Appropriate Size

1. Choose the Flow profile that matches your requirements. Extrapolate between the published curves for values not shown.
2. Move out to the edge of the graph for the Adjustment Scale setting that equates to the maximum CFM you want to pass.

Example: Flow amount 100 CFM (X) Follow back to the edge along the best fit line (.....). Adjust setting = 170 CFM

Adjustment Process

1. Loosen the Adjustment screw using a Torx® T-10 bit.
2. Adjust the carriage that holds the Aero-Gate up and down to line up the top of the Carriage with the desired Adjust Scale number.
3. Retighten Adjustment Screw. Finger tight is sufficient. Do not over-tighten the screw(s).



Orient the CVR

The CVR must be oriented correctly. The flat face of the regulator must point upstream toward the airflow. Observe the Arrow Label on the side of the CRV.

For Wall Mount

Slide the CVR into the duct. The gasket should provide a nice snug fit. Align the Aero-Gate parallel with the floor. The words "BAS" and "Down" should be readable.

