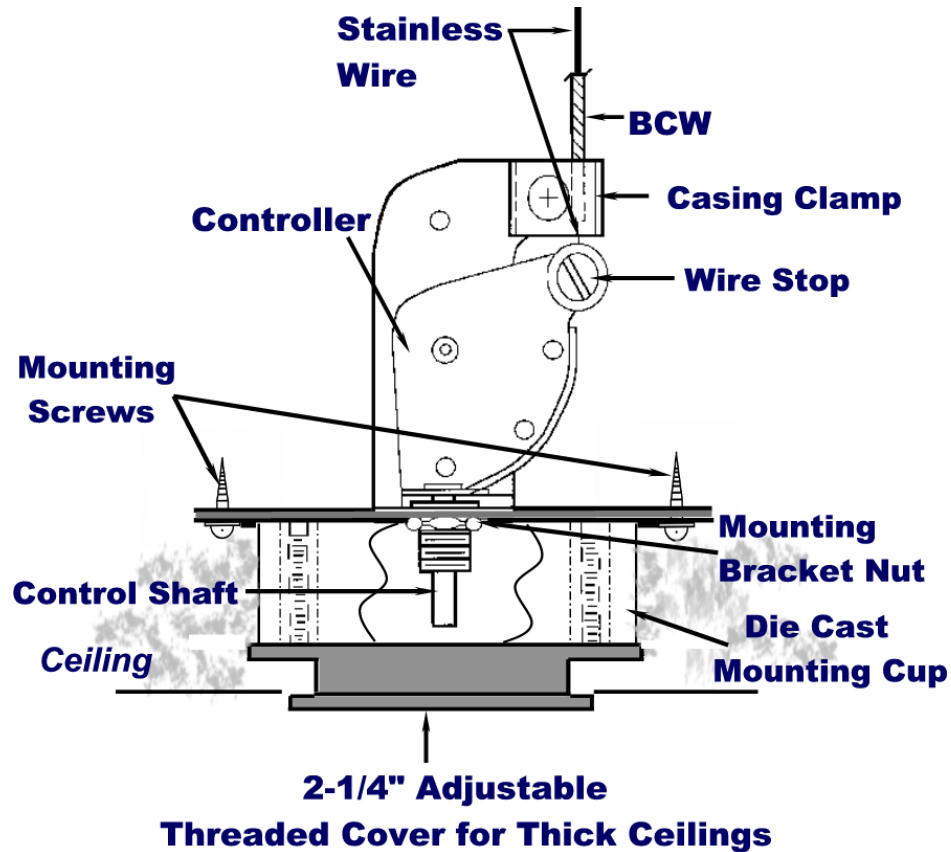


BOWDEN CABLE CONTROL 270-315 CONCEALED CEILING REGULATOR WITH ADJUSTABLE COVER



1. Install controller in mounting cup using mounting bracket nut.
2. Cut 2 3/4" hole in ceiling at desired location of regulator. Install cup in ceiling (mounting screws by others).
3. Thread stainless steel wire through galvanized steel casing.
4. Attach casing to controller with casing clamp.
5. Thread wire through hole in wire stop and tighten setscrew onto wire. Rotate control shaft using wrench until controller is in the position shown in this diagram, full closed.
6. Thread cover into ceiling cup flange.
7. Proceed with damper hardware kit.

Note: To balance system, remove cover plate to turn control shaft using 030 control wrench.
Intermittent positive stop will allow damper to open and close and lock damper blade in place